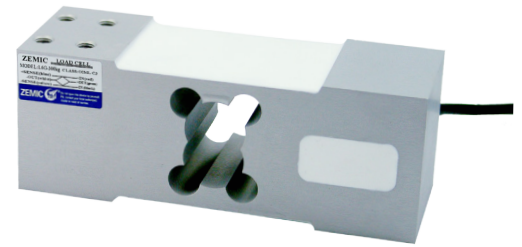


L6G

- Aluminium-alloy IP65 single point load cell.
- Colourless anodized
- Suitable for single and double load cells structured platform scales.
- Maximum platform size: 600 x 600 mm
- A 1000 Ohm type available (R1) but is excluded from OIML



test certificate no. D09-03.22 Revision 2
C of C no R60/2000-CN1-00.03revision 1

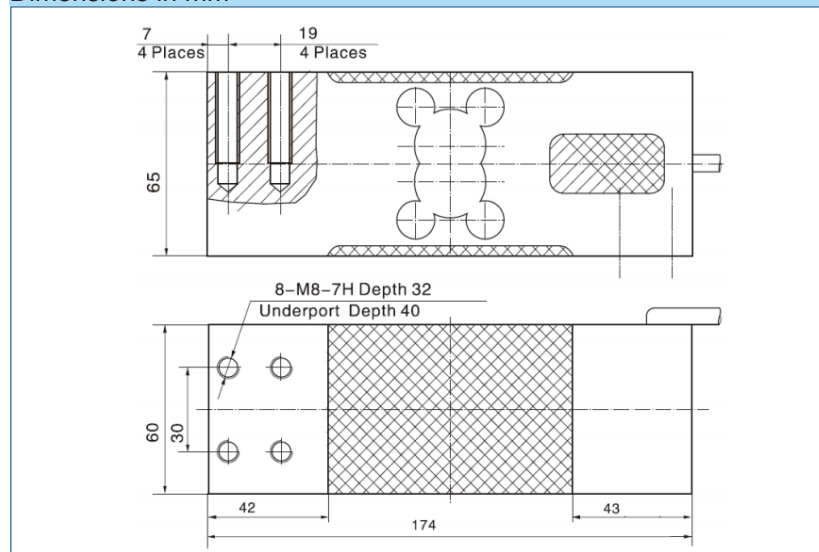
Available models

Capacity	Accuracy	Full article description
50 kg	C3	L6G-C3-50kg-3G6
100 kg	C3	L6G-C3-100kg-3G6
150 kg	C3/C4	L6G-C3/C4 -150kg-3G6
200 kg	C3/C4	L6G-C3/C4 -200kg-3G6
250 kg	C3/C4	L6G-C3/C4 -250kg-3G6
300 kg	C3/C4	L6G-C3/C4 -300kg-3G6
500 kg	C3/C4	L6G-C3/C4 -500kg-3G6
600 kg	C3/C4	L6G-C3/C4 -600kg-3G6

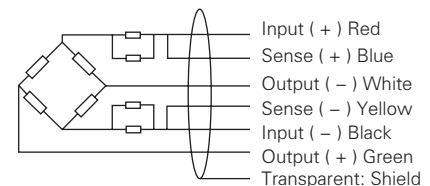
Specification

Accuracy class		OIML R60 C3	OIML R60 C4
Output sensitivity (= FS)	mV/V	2.0 ± 0.2	
Maximum capacity (E _{max})	kg	50/100/150/200/250/300/500/600	150/200/250/300/500/600
Maximum number of load cell intervals (nLC)		3000	4000
Ratio of minimum LC verification interval Y = E _{max} / v _{min}		10000	15000
Combined error	%FS	± 0.02	± 0.0150
Minimum dead load	kg	0	
Safe overload	%FS	120	
Ultimate overload	%FS	150	
Zero balance	%FS	± 2.0	
Excitation, recommended voltage	V	5 ~ 12(DC)	
Excitation maximum	V	18(DC)	
Input resistance	Ω	406 ± 6	
Output resistance	Ω	350 ± 3	
Insulation resistance	MΩ	≥ 5000 (50VDC)	
Compensated temperature	°C	-10 ~ +40	
Operating temperature	°C	-35 ~ +65	
Storage temperature	°C	-40 ~ +70	
Element material		Aluminium	
Recommended torque on fixation	N.m	M8:25	
Ingress protection (according to EN 60529)		IP65	

Dimensions in mm



Wiring



- Shielded, 6 conductor cable.
- Cable diameter: $\Phi 5.9\text{mm}$.
- Cable length: 3m.
- Shield connected to element.
- Cable jacket in PVC.