

# HM8

## FEATURES

- Nickel plated alloy steel IP68 shear beam load cell
- Hermetically sealed
- Suitable for truck, track, hopper and other electronic weighing devices



## AVAILABLE MODELS

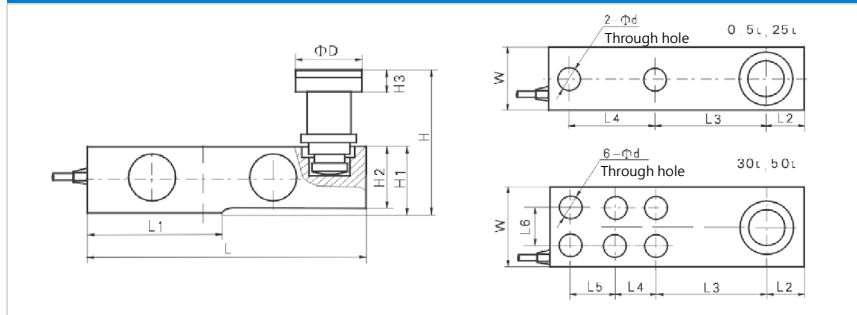
| Capacity | Accuracy              | Full article description |
|----------|-----------------------|--------------------------|
| 1t       | C3 Excluded from OIML | HM8-C3-1t-6.5B6          |
| 2t       | C3 Excluded from OIML | HM8-C3-2t-6.5B6          |
| 2.5t     | C3 Excluded from OIML | HM8-C3-2.5t-6.5B6        |
| 3t       | C3 Excluded from OIML | HM8-C3-3t-6.5B6          |
| 5t       | C3                    | HM8-C3-5t-6.5B6          |
| 10t      | C3                    | HM8-C3-10t-6.5B6         |
| 15t      | C3                    | HM8-C3-15t-6.5B6         |
| 20t      | C3                    | HM8-C3-20t-6.5B6         |
| 25t      | C3 Excluded from OIML | HM8-C3-25t-6.5B6         |
| 30t      | C3 Excluded from OIML | HM8-C3-30t-6.5B6         |



## SPECIFICATION

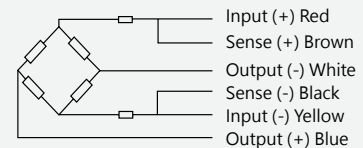
|   |      | C3   | OIML R60 C3          |
|---|------|--|----------------------|
| Accuracy class  |      | C3   | OIML R60 C3          |
| Output sensitivity (=FS)  | mV/V | 2.0 ± 0.002                                |                      |
| Maximum capacity (E <sub>max</sub> )  | t    | 1/ 2/2.5/3/30                              | 5/10/15/20/25        |
| Maximum number of load cell intervals (nLC)                                     |      | 3000                                       |                      |
| Ratio of minimum LC verification interval Y=E <sub>max</sub> / V <sub>min</sub> |      | 10000                                      | 15000                |
| Combined error  | %FS  | ± 0.020                                    |                      |
| Minimum dead load   | %FS  | 0  |                      |
| Safe overload   | %FS  | 150  |                      |
| Ultimate overload   | %FS  | 300  |                      |
| Zero balance  | %FS  | ± 1.0                                      |                      |
| Excitation, recommended voltage   | V    | 5 ~ 12 (DC)                                |                      |
| Excitation maximum  | V    | 18 (DC)                                    |                      |
| Input resistance  | Ω    | 400 ± 5                                    |                      |
| Output resistance   | Ω    | 352 ± 3.0                                  |                      |
| Insulation resistance   | MΩ   | ≥ 5000 (50VDC)                             |                      |
| Compensated temperature   | °C   | -10 ~ +40                                  |                      |
| Operating temperature   | °C   | -35 ~ +65                                  |                      |
| Storage temperature   | °C   | -40 ~ +70                                  |                      |
| Element material  |      | Nickel plated alloy steel                  |                      |
| Ingress protection (acc. To EN 60529)   |      | IP68                                       |                      |
| Recommended torque on fixation  | N.m  | M12: 100 M14:120 M20:500 M27:1075 M33:1975 |                      |
| ATEX classification (optional)  |      | II1G Ex ia IIC T4                          | II1D Ex iaD 20 T73°C |

## DIMENSIONS IN MM



| Dimension Capacity | H               | H1             | H2           | H3           | ΦD           | Φd           | W            | L              | L1            | L2             | L3            | L4           | L5           | L6           |
|--------------------|-----------------|----------------|--------------|--------------|--------------|--------------|--------------|----------------|---------------|----------------|---------------|--------------|--------------|--------------|
| 1-2t               | 57.9<br>(2.28)  | 43<br>(1.69)   | 37<br>(1.47) | 5<br>(0.2)   | 35<br>(1.38) | 13<br>(0.51) | 37<br>(1.47) | 203<br>(7.99)  | 95<br>(3.74)  | 22<br>(0.87)   | 98<br>(3.86)  | 64<br>(2.52) | /            | /            |
| 2.5 t              | 57.9<br>(2.28)  | 43<br>(1.69)   | 37<br>(1.47) | 5<br>(0.2)   | 35<br>(1.38) | 15<br>(0.59) | 37<br>(1.47) | 203<br>(7.99)  | 95<br>(3.74)  | 22<br>(0.87)   | 98<br>(3.86)  | 64<br>(2.52) | /            | /            |
| 3t                 | 62.9<br>(2.48)  | 43<br>(1.69)   | 37<br>(1.47) | 5<br>(0.2)   | 35<br>(1.38) | 15<br>(0.59) | 37<br>(1.47) | 203<br>(7.99)  | 95<br>(3.74)  | 22<br>(0.87)   | 98<br>(3.86)  | 64<br>(2.52) | /            | /            |
| 5t                 | 78.7<br>(3.1)   | 52<br>(2.05)   | 48<br>(1.89) | 8<br>(0.31)  | 42<br>(1.65) | 21<br>(0.83) | 48<br>(1.89) | 235<br>(9.25)  | 110<br>(4.33) | 22<br>(0.87)   | 124<br>(4.88) | 66<br>(2.6)  | /            | /            |
| 10t,15t            | 127.7<br>(5.03) | 67<br>(2.64)   | 60<br>(2.36) | 12<br>(0.47) | 57<br>(2.24) | 28<br>(1.10) | 60<br>(2.36) | 279<br>(10.98) | 133<br>(5.24) | 32<br>(1.26)   | 140<br>(5.51) | 82<br>(3.32) | /            | /            |
| 20t,25t            | 143.5<br>(5.65) | 82.5<br>(3.25) | 70<br>(2.76) | 12<br>(0.47) | 70<br>(2.76) | 34<br>(1.34) | 70<br>(2.76) | 318<br>(12.52) | 153<br>(6.02) | 38<br>(1.5)    | 159<br>(6.26) | 89<br>(3.5)  | /            | /            |
| 30t                | 174<br>(6.85)   | 115<br>(4.53)  | 90<br>(3.54) | 18<br>(0.71) | 70<br>(2.76) | 26<br>(1.02) | 96<br>(3.78) | 374<br>(14.72) | 189<br>(7.44) | 44.5<br>(1.75) | 181<br>(7.13) | 76<br>(2.99) | 51<br>(2.01) | 46<br>(1.81) |

## WIRING



- Shielded, 6 conductor cable.
- Cable diameter: Φ6.2mm.
- Standard cable length: 6.5m.
- Shield is not connected to element.