

H3

- Nickel plated alloy steel IP67 “S” type load cell
- Tension and compression applications
- Suitable for hanging, hopper and other weighing devices
- Also available in imperial capacities and dimensions

Available models

Capacity	Accuracy	Full article description
25kg	C3 Excluded from OIML	H3-C3-25kg-3B
50kg	C3 Excluded from OIML	H3-C3-50kg-3B
100kg	C3/C4	H3-C3/C4-100kg-3B
150kg	C3/C4	H3-C3/C4-150kg-3B
200kg	C3/C4	H3-C3/C4-200kg-3B
250kg	C3/C4	H3-C3/C4-250kg-3B
300kg	C3/C4	H3-C3/C4-300kg-3B
500kg	C3/C4	H3-C3/C4-500kg-3B
600kg	C3/C4	H3-C3/C4-600kg-3B
750kg	C3/C4	H3-C3/C4-750kg-3B
1t	C3/C4	H3-C3/C4-1t-3B
1.5t	C3/C4	H3-C3/C4-1.5t-3B
2t	C3/C4	H3-C3/C4-2t-3B
2.5t	C3/C4	H3-C3/C4-2.5t-3B
3t	C3 Excluded from OIML	H3-C3-3t-3B
5t	C3 Excluded from OIML	H3-C3-5t-3B
7.5t	C3 Excluded from OIML	H3-C3-7.5t-3B
10t	C3 Excluded from OIML	H3-C3-10t-3B
15t	C3 Excluded from OIML	H3-C3-15t-3B
20t	C3 Excluded from OIML	H3-C3-20t-3B
30t	C3 Excluded from OIML	H3-C3-30t-3B



test certificate no. D09-03.18 Revision 2
C of C no R60/2000-CN-00.01 Revision 1

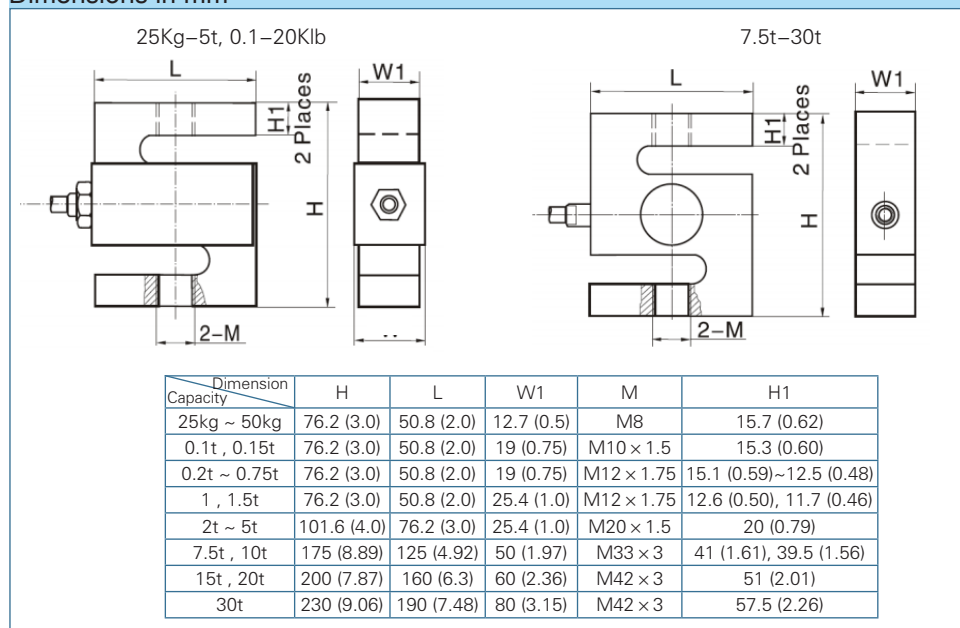


Certificate no. 06-099A1

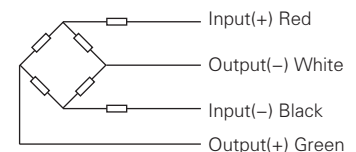
Specification

Accuracy class		OIML R60 C3	OIML R60 C4	C3			
Output sensitivity (= FS)	mV/V	2.0 ± 0.004(Metric)		3.0 ± 0.008(Imperial)			
Maximum capacity (Emax)	t	0.025/0.05/0.1/0.15/0.2/0.25/0.3/0.5/0.6/0.75/1/1.5/2/2.5/3/5/7.5/10/15/20/30					
	lb	100/150/200/250/300/500/750/1K/1.5K/2K/2.5K/3K/5K/10K/15K/20K					
Maximum number of load cell intervals (nLC)		3000	4000	3000			
Ratio of minimum LC verification interval Y = Emax / vmin		10000	20000	10000			
Combined error	%FS	± 0.020	± 0.018	± 0.020			
Minimum dead load	kg	0					
Safe overload	%FS	150					
Ultimate overload	%FS	300					
Zero balance	%FS	± 1.5(Metric)	± 1.0(Imperial)				
Excitation, recommended voltage	V	5 ~ 12(DC)					
Excitation maximum	V	18(DC)					
Input resistance	Ω	350 ± 3.5					
Output resistance	Ω	351 ± 2.0					
Insulation resistance	MΩ	≥ 5000 (50VDC)					
Compensated temperature	°C	-10 ~ +40					
Operating temperature	°C	-35 ~ +65					
Storage temperature	°C	-40 ~ +70					
Element material		Nickel plated alloy steel					
Ingress protection (according to EN 60529)		IP67					
Recommended torque on fixation	N.m	M8:25	M10: 50	M12:75	M20:450	M33:750	M42:1450
ATEX classification (optional)		II1G Ex ia IIC T4	II1D Ex iaD 20 T73°C	II3G Ex nL IIC T4			

Dimensions in mm



Wiring



- Shielded, 4 conductor cable.
- Cable diameter: Φ5mm
- Standard cable length for 25kg ~ 1.5t: 3m and for 2t ~ 30t: 6m.
- Shield not connected to element.